

BİSAVUNMA Security Radar

STS2-2 is a pulsating Doppler radar using a phased array system. It can be used to detect pedestrians, vehicles, or boats, achieve all-day control of the control area, and provide information such as the flight track and location of the target. The radar's target detection and tracking capability of large-area vision can guide optical systems, such as cameras, to locate and confirm targets. Radar is mainly used for border line security and river and lake and offshore ship monitoring.

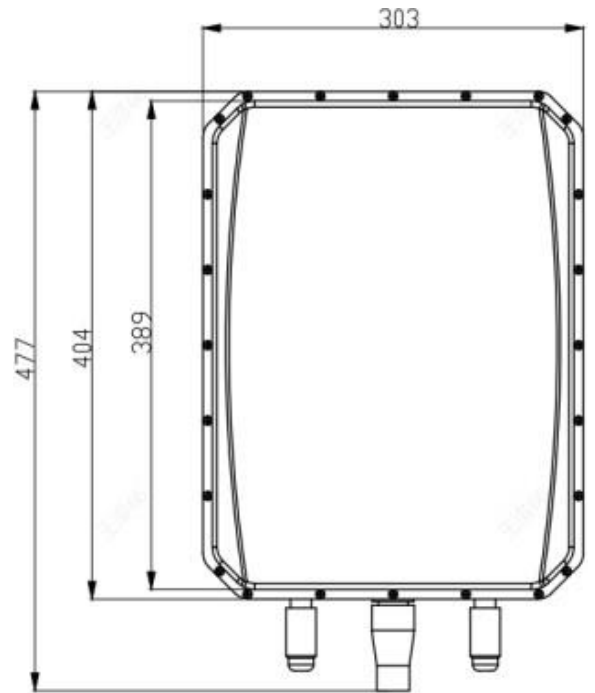
Product Features:

- ★ High-Efficiency X-Strand Pulse Doppler Phased Array Radar
 - ★ Pedestrian ≥ 6 km, vehicle ≥ 10 km
 - ★ Azimuth should be no less than 100° .
 - ★ is equipped with e-map, and the absolute coordinates of the target can be displayed in real time.
 - ★ RA can connect multiple networks, and report the absolute position, motion direction, and speed of the target in real time.
 - ★ Hybrid map handling and self-adaptive to on-site environment.
- The user shall be able to set the alarm zone and preset the working mode. The user shall be unattended for 24 hours.
- ★ Target data is saved automatically and uploaded to control center.
 - ★ Small Volume and Light Weight.

Order Model:

BİSAVUNMA Security Monitoring Radar

***Pictures are for reference only, subject to physical material.**



Wiring: 1 power cable, 1 network cable, and 2 spare wiring harnesses

(includes).

Beidou Kit: Optional.

Technical Parameters:

Model		STS2-2 Security Monitoring Radar
Parameter		
Product Parameters	Working Frequency Band	X-band
	Working Mode	1.Position-to-ground mode; 2.Sea mode.
	Data Rate	1.8s (ground-to-ground mode), 3s (sea-to-sea mode)
	Frequency Scanning Bandwidth	10MHz
	Range	150m to 20000m (Pedestrian ≥ 4km, Vehicle ≥ 8km, Small Ship ≥ 10km, Large Ship ≥ 15km).
	Speed Detection Range	-45 to +45m/s
	Azimuth Coverage	-50° to +50°
	Pitch Coverage	-6° to +6° (switchable to 40 degrees).
	Detection Accuracy	Distance: ≤ 10 m; Azimuth Angle: ≤ 0.8 °
	Azimuth Angle Resolution	12°
	Distance Resolution	15m
	Max. Monitorable Targets	300
	Communication Port	Ethernet, RJ45
	Installation Height	≥3m
System Parameters	Working Voltage	AC220V
	Working Current	<0.7A
	Power	<150W
	Working Temperature	-40°C to +55°C
	Water Resistance Level	IP65
	Weight	Approximately 12.5 kg (including mounting bracket, excluding Beidou kit).
Size	Shape Size	477mm*303mm*84mm (L*W*H)

