

## HM-TD71C8-75/W Thermal Panoramic Scanner



HIKMICRO HM-TD71C8-75/W Thermal Panoramic Scanner is equipped with intelligent GPU and continuously spinning to support 360° panoramic perimeter detection and dynamic fire detection. In addition, it could link PTZ to ensure precise alarm by video verification. It is applied in coastal security and critical infrastructure like oilfield, airports etc.

- 360° panoramic view within one camera
- 1280 × 1024 resolution 12 μm, VOx UFPA, NETD ≤ 35 mK (25 °C, F# = 1.0)
- Perimeter detection based on intelligent algorithm: intrusion, region entrance and exit
- Fire detection algorithm
- Alarm linkage: Link other PT cameras to track moving targets when alarms triggered

## ▪ Specification

Thermal Module	
Image Sensor	VOx Uncooled Focal Plane Arrays
Resolution	39144 × 640
Pixel Pitch	12 μm
NETD	≤ 35 mK (@25° C, F# = 1.0)
Focal Length	75 mm
Focus Mode	Semi-auto & Manual
IFOV	0.16 mrad
Aperture	F1.0
Field of View	360° × 11.7° (H × V)
Min. Focusing Distance	8 m
Image Effect	
Target Coloration	Supported in white hot and black hot mode
PTZ	
Movement Range	Pan: 360° Continuous Rotate; Tilt: From -25° to + 45°
Pan Speed	360° / 3.36 s
Smart Function	
VCA	Support 3 VCA rule types (Intrusion, Region Entrance, and Region Exiting), up to 200 VCA rules
Fire Detection	Dynamic fire point detection, up to 200 fire points detectable
Video and Audio	
Main Stream	25 fps (4096 × 2160)
Sub-stream	25 fps (1024 × 1280)
Video Compression	Main stream: H.265/H.264 Sub-stream: H.265/H.264
Network	
Protocols	IPv4/IPv6, HTTP, HTTPS, 802.1x, Qos, FTP, SMTP, UPnP, SNMP, DNS, DDNS, NTP, RTSP, RTCP, RTP, TCP, UDP, IGMP, ICMP, DHCP, PPPoE
Network Storage	Micro SD/SDHC/SDXC card (up to 256 G) local storage, and NAS (NFS, SMB/CIFS), auto network replenishment (ANR)
API	ISAPI, HIKVISION SDK, Open Network Video Interface (Profile S, Profile G, Profile T)
Simultaneous Live View	Up to 20 channels
User/Host level	Up to 32 users, 3 levels: Administrator, Operator, User
Security	User authentication (ID and Password), MAC address binding, HTTPS encryption, IEEE 802.1x(EAP-MD5, EAP-TLS), access control, IP address filtering
Client	iVMS-4200, Hik-Connect, Hik-Central, HCP
Web Browser	Live view (plug-in allowed) : Internet Explorer 11 Live view (plug-in free) : Chrome 57.0 +, Firefox 52.0 + Local service : Chrome 57.0+, Firefox 52.0 +
Interface	
Alarm Input	1-ch inputs (0 to 5 VDC)
Alarm Output	1-ch relay outputs, alarm response actions configurable
Alarm Action	SD Card Record/Relay Output/Smart capture/FTP upload/Email linkage

Communication Interface	1, RJ45 10 M/100 M/1000 M Self-adaptive Ethernet interface. 1, RS-485 interface
<b>General</b>	
Menu Language	32 languages English, Russian, Estonian, Bulgarian, Hungarian, Greek, German, Italian, Czech, Slovak, French, Polish, Dutch, Portuguese, Spanish, Romanian, Danish, Swedish, Norwegian, Finnish, Croatian, Slovenian, Serbian, Turkish, Korean, Traditional Chinese, Thai, Vietnamese, Japanese, Latvian, Lithuanian, Portuguese (Brazil)
Power Supply	30 VDC~60 VDC, two-core terminal block
Power Consumption	Max. 150 W
Working Temperature/Humidity	From -40 °C to 60 °C (-40 °F to 140 °F); Humidity: 90% ± 3% (no condensation)
Protection Level	IP66 Standard; TVS 6000V Lightning Protection, Surge Protection and Voltage Transient Protection
Dimensions	408 mm × 310 mm × 407 mm
Weight	Approx. 25 kg (55.1 lb)

## ▪ DORI

\* The table is only for reference and the performance may vary according to different environment

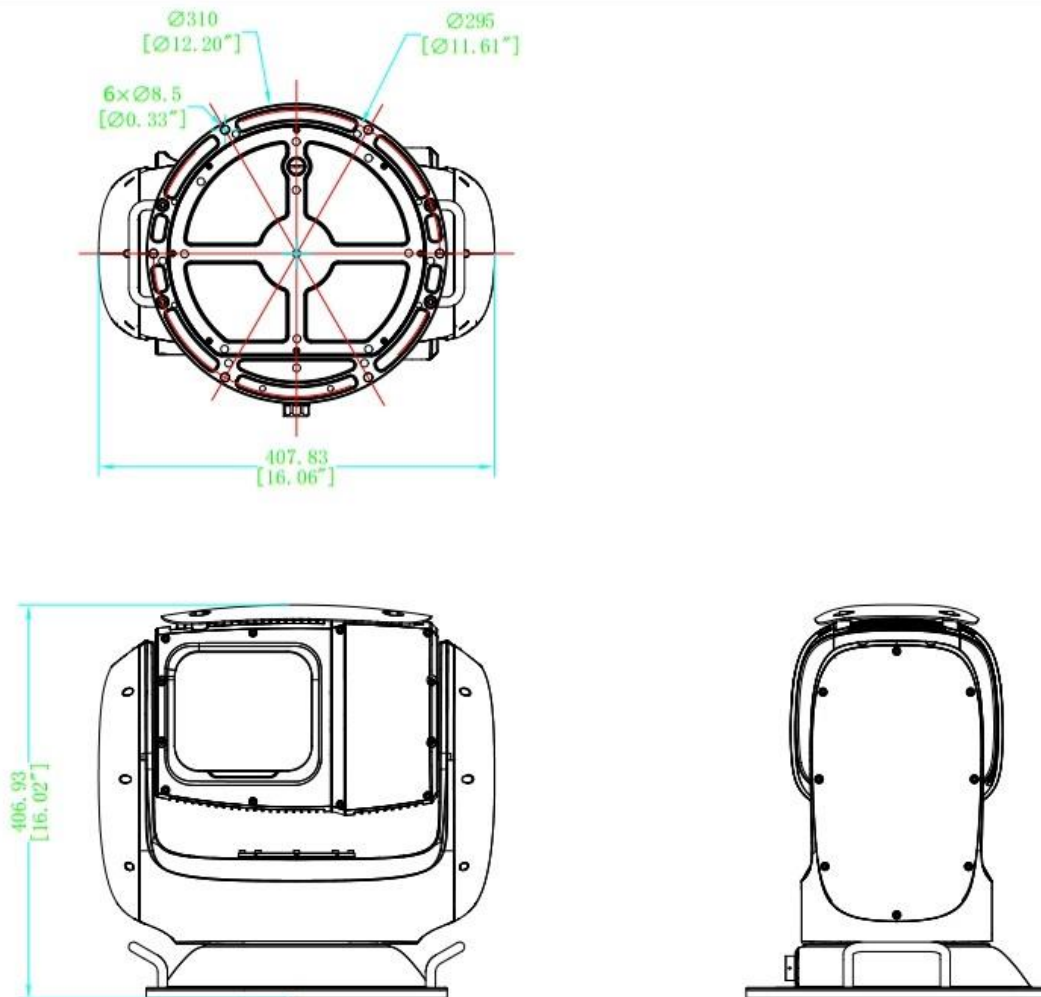
Note: Effective distance values shown are nominal values and should be used as estimates only. Exact value calculations depend on a wide variety of conditions

Target type	Detection Range	Recognition Range	Identification Range
Human (1.8 × 0.5 m)	3.1 km	0.8 km	0.4 km
Vehicle (2.3 × 2.3 m)	9.6 km	2.4 km	1.2 km
Ship (10 × 5 m)	32.1 km	8.0 km	4.0 km
Ship (20 × 5 m)	41.7 km	10.4 km	5.2 km

## ▪ Available Model

HM-TD71C8-75/W

## ▪ Dimension



Unit:mm[Inch]